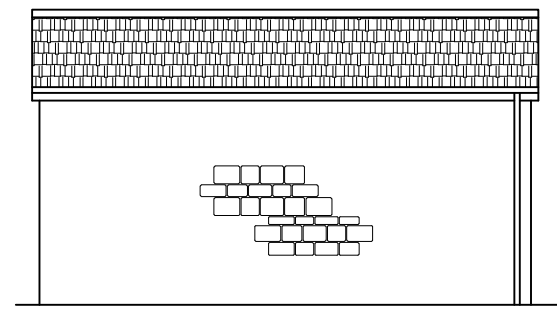
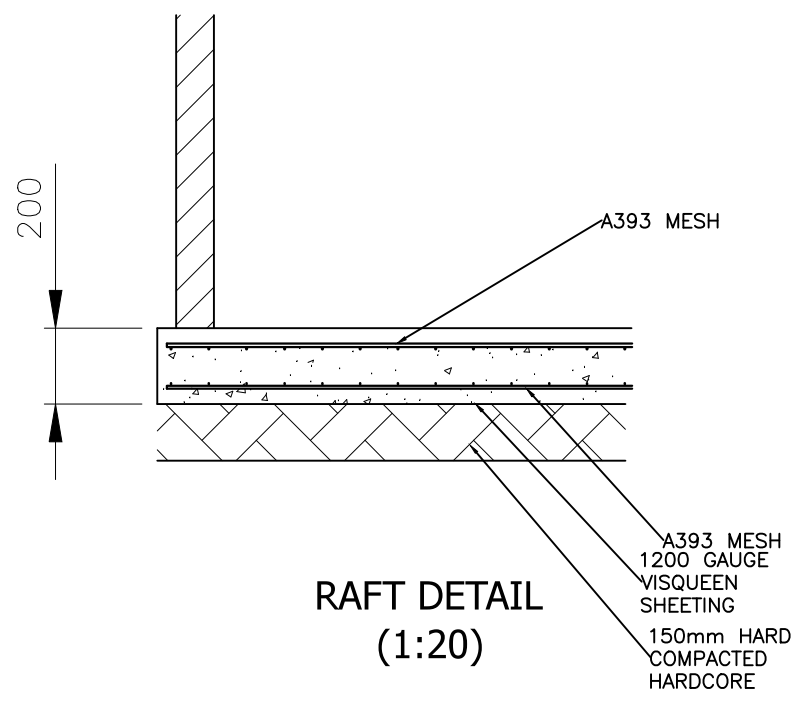


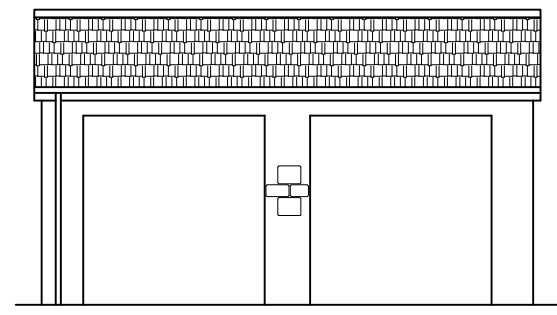
Drawing No.	Rev No.
MPL002 -008	

DO NOT SCALE: Contractor to check all dimensions and report any omissions or errors

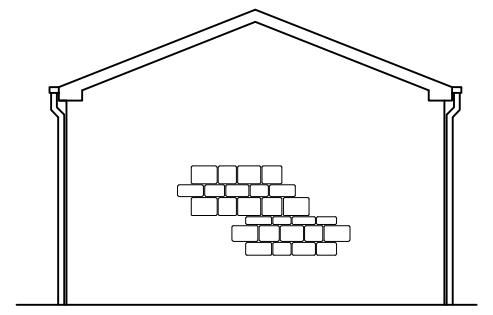
NOTES



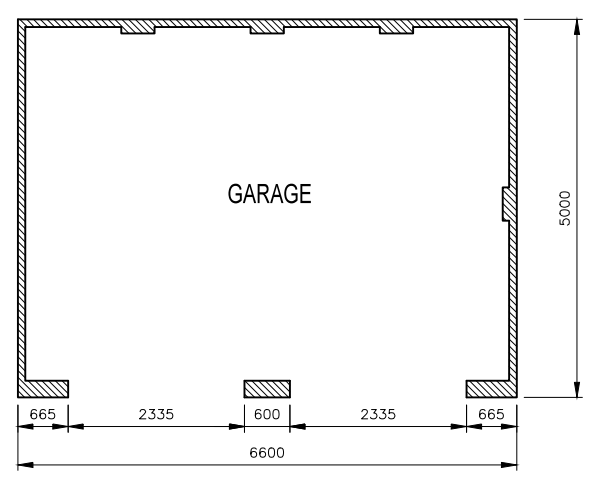
PROPOSED REAR ELEVATION
SCALE 1:100 AT A3



PROPOSED FRONT ELEVATION
SCALE 1:100 AT A3



PROPOSED END ELEVATION (BOTH SAME)
SCALE 1:100 AT A3



PROPOSED GROUND FLOOR PLAN
SCALE 1:100 AT A3

Rev	Description	By	Chk	App	Date
-----	-------------	----	-----	-----	------

JRB DESIGNS Ltd
1 Saville Road
Cudworth
Barnsley
S72 8LT
Tel: 01226 383542
Fax: 01226 380078
Mob: 07970 541192
Email: john@jrbdesigns.co.uk

This drawing is copyright. © jrbdesigns Ltd.

Client **MR P LAWTON**

Drawing Title **GARAGE**

Address **41 THORNCLIFFE WAY
TANKERSLEY
BARNSELY
S75 3DN**

Project Title: **PROP TWO STOREY SIDE &
DETACHED GARAGE**

Purpose of Issue: **PLANNING**

Drawing Status **FIRST ISSUE**

Scale at A3 AS SHOWN	Drawn By JRB	Date 29/08/2018
Checked By	Date 29/08/2018	Approved By Date 29/08/2018
Project No. MPL002	Drawing No. 008	Revision

APPROVAL INFORMATION TENDER CONTRACT CONSTRUCTION